



12.8V

108Ah

LiFePO4

1382Wh

Self Contained Lithium Battery in Ruggedised Case

FEATURES

The LFBM-IIB128108 is a self-contained 12.8V Lithium Iron Phosphate battery pack mounted in a high quality and environmentally resistant case, which provides a reliable and consistent power output of up to 108Ah (1382.4Wh).

It is equipped with a WY24 connector capable of supplying 20A continuous to the load. Furthermore, the battery possesses a build-in Battery Management System (BMS) which provides all the safety features a lithium pack requires such as over-voltage, under-voltage, over-temperature, over-current and short-circuit protections.

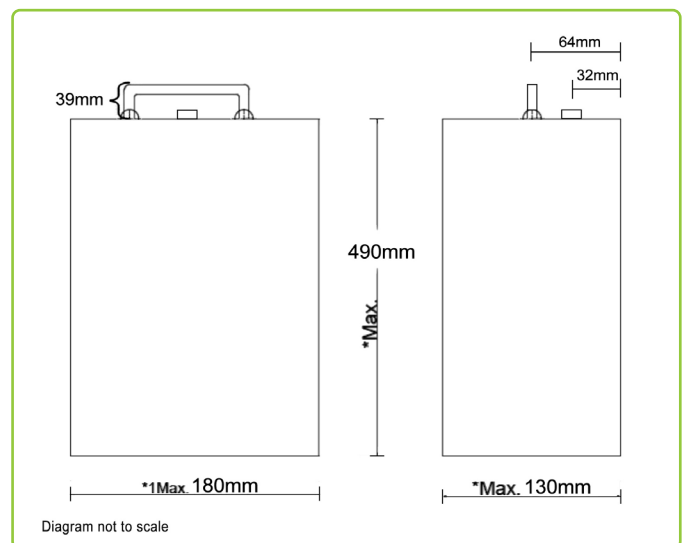
Finally, the unit is constructed with a precision temperature sensor (LM35) for external monitoring.

SPECIFICATIONS

Model Number	LFBM-IIB128108	
Battery Pack	Chemistry	Lithium Iron Phosphate (LiFePO4)
	Cell Configuration	4S30P (4-series and 30-parallel)
	Nominal Capacity [Ah]	108Ah
	Power [Wh]	1382.4Wh
Voltage	Nominal	12.8VDC
	Maximum Charge	14.6VDC
	Cut-off Voltage	8.4VDC
Current	Std Charge/Discharge	5A
	Max Continuous Charge	20A
	Max Continuous Discharge	20A
Protections	Over-charging	15±0.4V
	Under-discharging	8.4±0.4V
	Over Temperature	65±5°C
	Over Current	90±30A
	Short circuit delay time	<600uS
Impedance	<60mΩ	
Connector	WY24 - male 9 pins	
Temperature	Charging	0°C to 45°C
	Discharging	-20°C to 60°C
	Storage	-20°C to 45°C
Cell Used	IFR26650-36A	
Cycle Life	≥2000 cycles (100% DoD)	
	≥4000 cycles (80% DoD)	
Connection	No series or parallel connection allowed	
Case Material	SPCC	
IP Rating	IP55	



DIMENSIONS

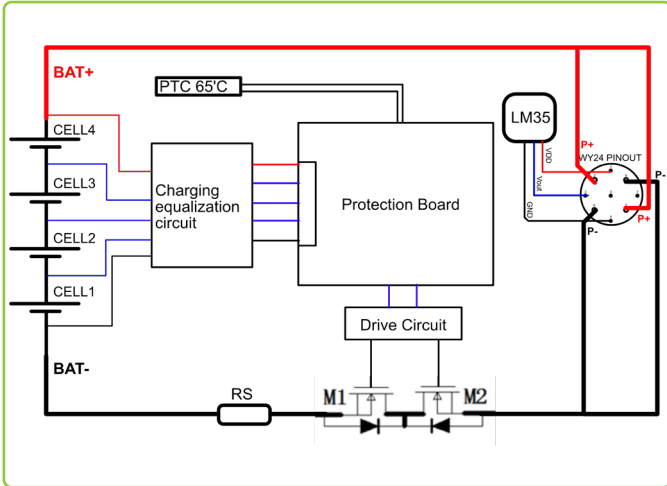


Dimensions	130mm (W) x 180mm (H) x 490mm (L)
Weight	21kgs

All specifications are correct at time of creation. All specifications and operation conditions contained in this datasheet are subject to change or improvement without prior notice to the user. This data is for evaluation purposes only. No guarantee is intended or implied by this data. For clarification and updated information, please contact us.



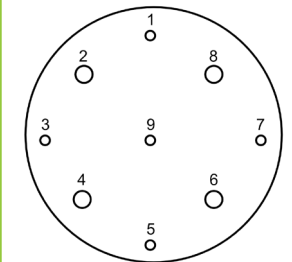
BLOCK DIAGRAM



CONNECTOR SPECIFICATIONS

WY24-1	V+ (Internal LM35 VDD)
WY24-2	P+ (Charge/Discharge positive)
WY24-3	Vout (Internal LM35 output)
WY24-4	P- (Charge/Discharge negative)
WY24-5	GND (Internal LM35 GND)
WY24-6	P+ (Charge/Discharge positive)
WY24-7	N/C
WY24-8	P- (Charge/Discharge negative)
WY24-9	N/C

WY24 PINOUT



FEATURES & BENEFITS

**Long Service Life**

>2000 cycles @100% DoD (25°C) to 80% of original capacity - longer service life than SLA to reduce maintenance costs.

**High Energy Density - More Power p/kg**

Higher total system capacity and superior utilisation (full 100% DoD) to reduce overall system size and footprint.

**Robust Enclosure**

Enclosed in IP5x (dust resistant) or IP6x (dust tight) case with closed loop terminals - suitable for harsh environments.

**Stable Chemistry & Built-in Circuit Protection**

IEC & UN38.3 Safety Certified at cell level and integrated BMS protection to ensure safety and prevent damage.

**Lightweight**

Approx. 1/2 the weight (or less) of equivalent in SLA means lower logistics costs and minimal OH&S concerns.

**Superior Charge & Discharge Efficiency**

Faster charge/discharge rates (C/2 LiFePO4 vs C/20 SLA) for higher power usage and less downtime when charging.

**Wide Operating Temperature Tolerance**

Suitable for use in a wider range of applications where ambient temperature is atypical: from -20°C up to +60°C.

**Fully Recyclable Battery**

An environmentally friendly battery option, with no lead or calcium that can leak into the environment.

BUILT-IN PROTECTION

All our batteries adhere to strict safety guidelines by incorporating Battery Management Systems (BMS) that include protection components such as:

- Integrated Circuit (IC)
- MOSFET
- Fuse
- Thermistor
- Protection Circuit Module (PCM)

The BMS in each battery helps to:

- Maintain safety for users.
- Prevent damage to equipment and property.
- Eliminate concerns about use of the wrong type of charger.
- Minimise the risk of overdischarge causing damage.
- Provide short circuit and overcharge protection.

CAUTION

- Do NOT short circuit, crush or disassemble.
- Do NOT heat or incinerate.
- Do NOT immerse in any liquid.
- Do NOT allow the battery to become overdischarged. If possible, isolate the battery when not in use.
- Do NOT leave the battery in a discharged state. Always recharge after use with a suitable LiFePO4 charger.
- Store at 50% capacity. Recharge every 3 months. The storage area should be clean, cool, dry and ventilated.
- No series or parallel connection allowed.

All specifications are correct at time of creation. All specifications and operation conditions contained in this datasheet are subject to change or improvement without prior notice to the user. This data is for evaluation purposes only. No guarantee is intended or implied by this data. For clarification and updated information, please contact us.