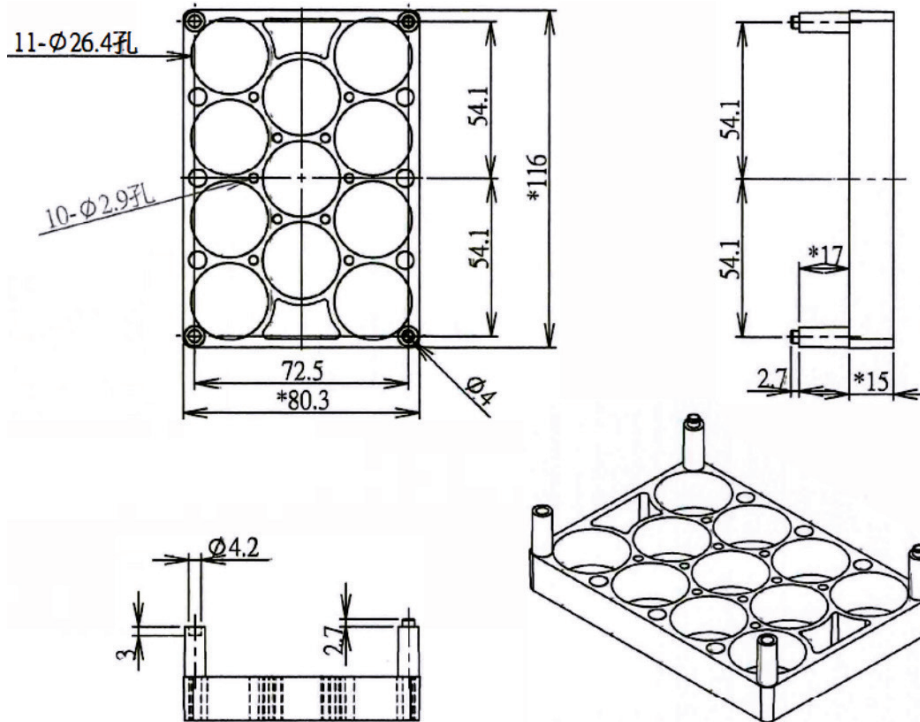




SPECIFICATIONS

CELL SIZE:	26650	CELL QUANTITY	11	CONFIGURATION	4-3-4 Square
-------------------	-------	----------------------	----	----------------------	--------------

DRAWING



*Note **BH26650-11** Only suits x equal to or less than 26.0mm

IMAGES



*Batteries not included

