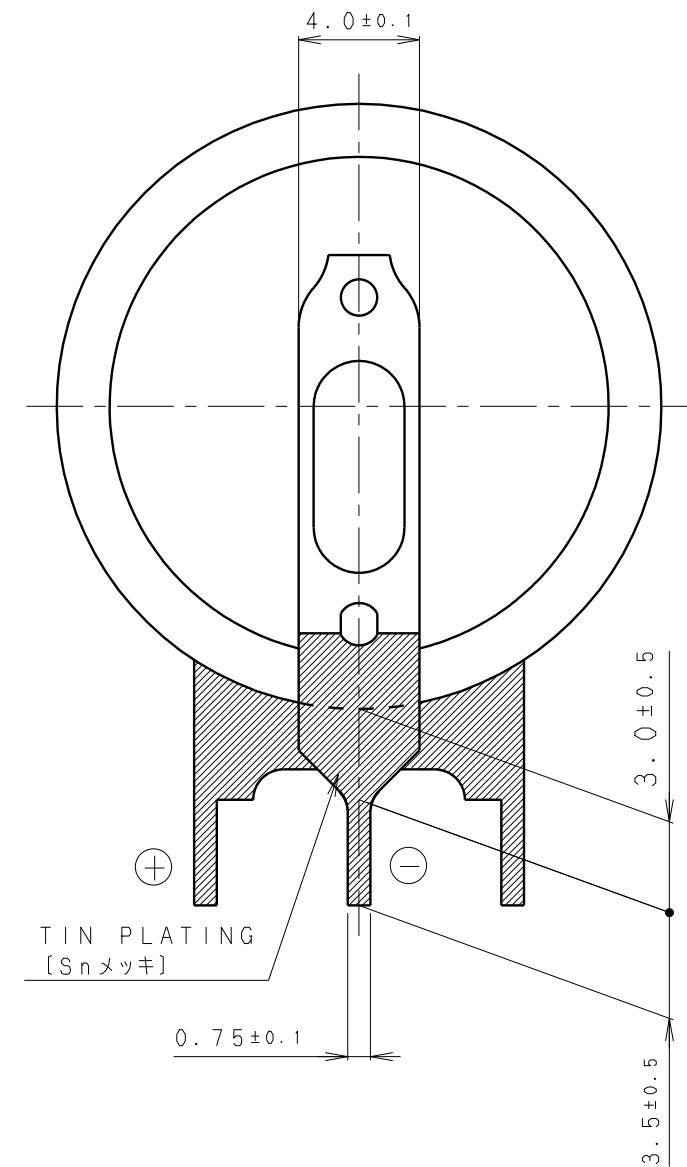
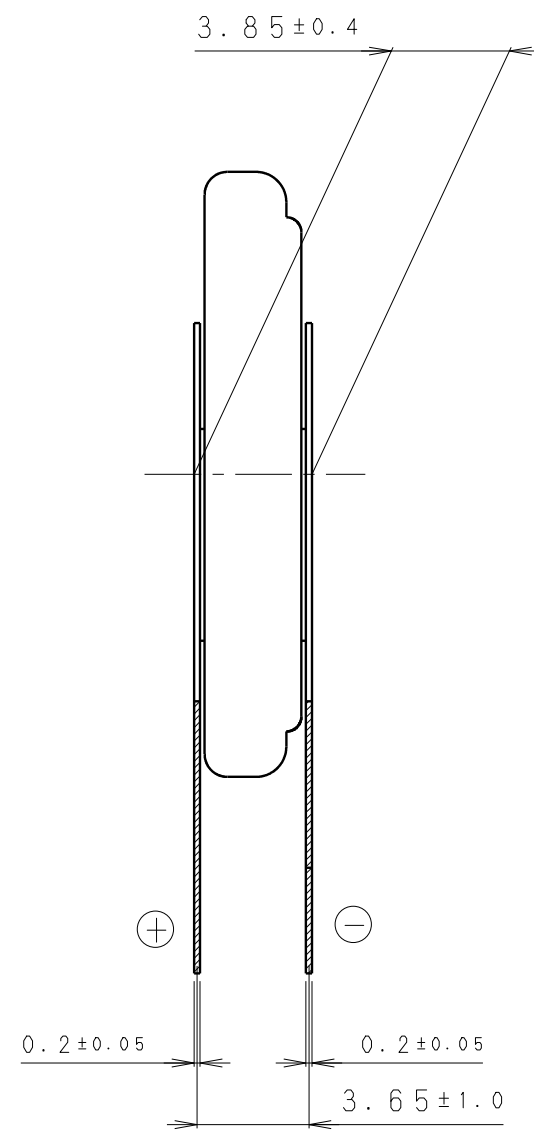
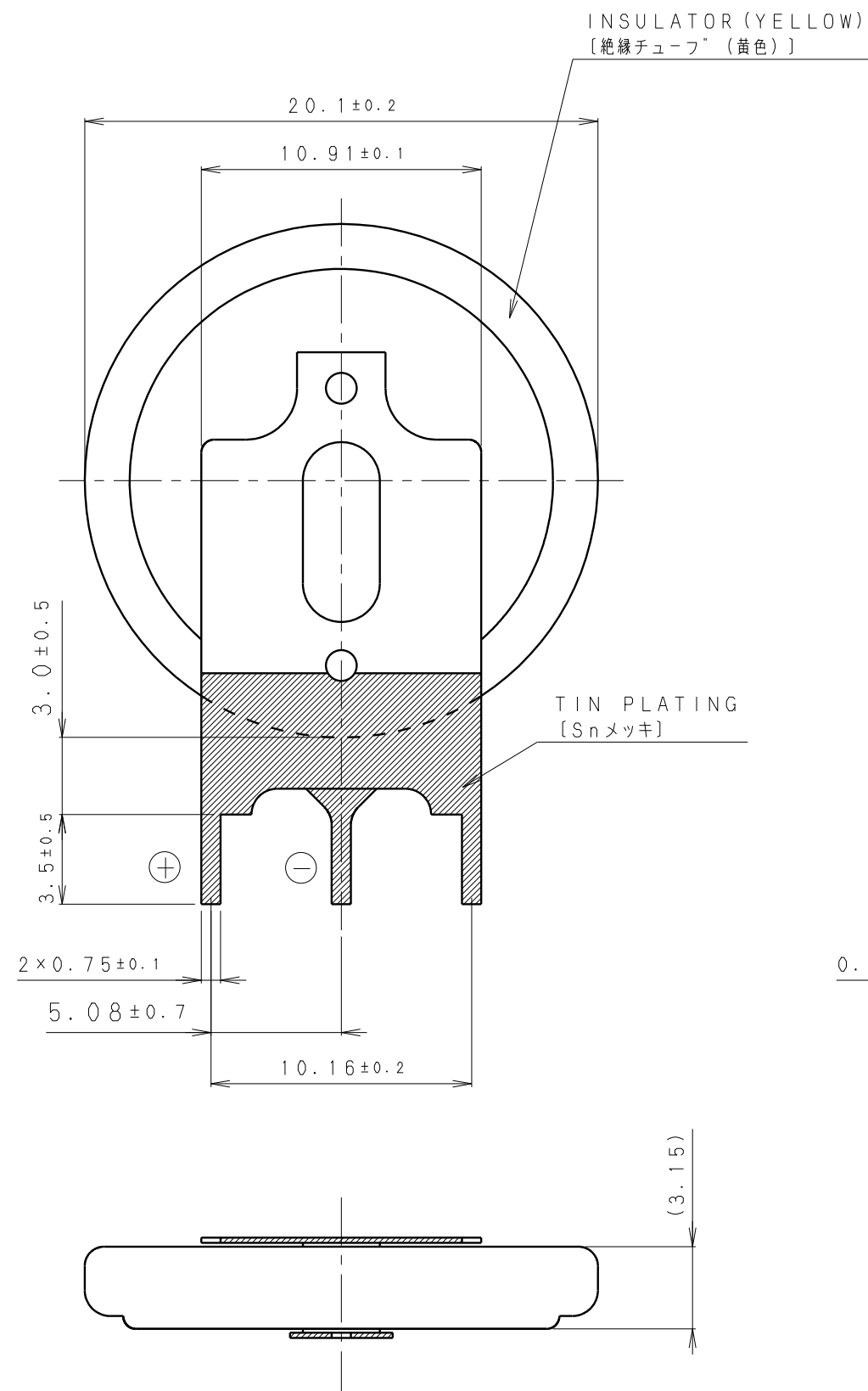


*NOTE [注記]

1. TAB PULLING STRENGTH OVER 19.6N [端子溶接強度:19.6N以上]
2. TAB MATERIAL:STAINLESS STEEL WITH TIN PLATING [端子材料:基材 ステンレス/表面 部分Snメッキ]
3. ():REFERENCE DIMENSION AND ANGLE [()寸法、角度は参考値]

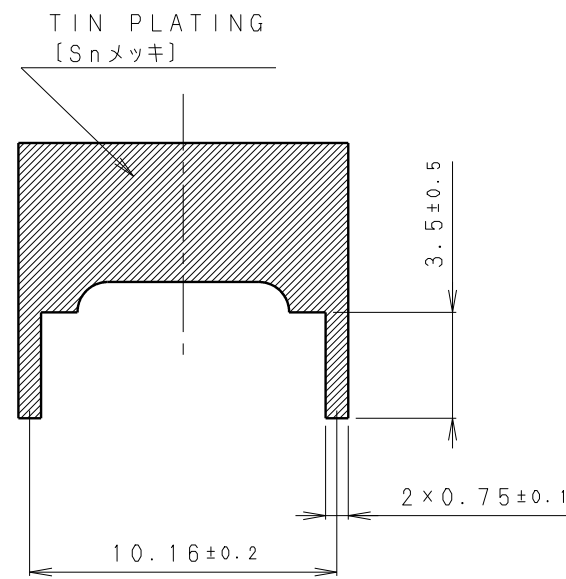
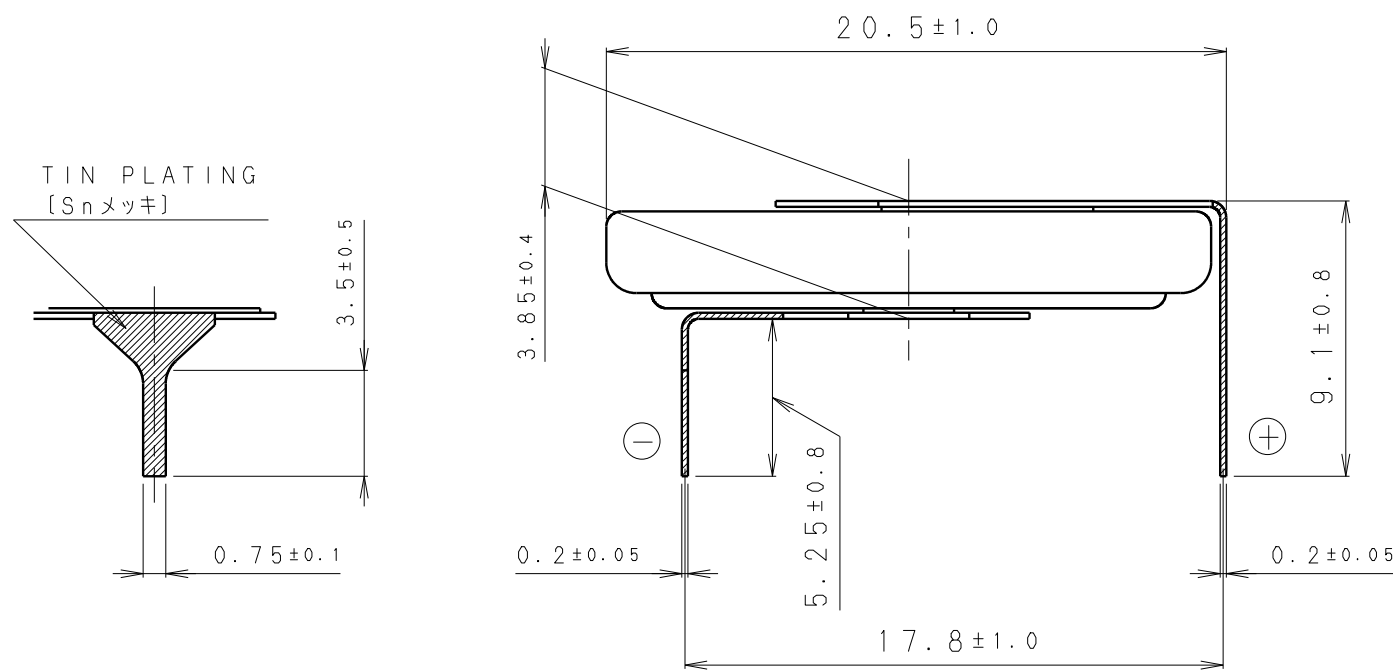
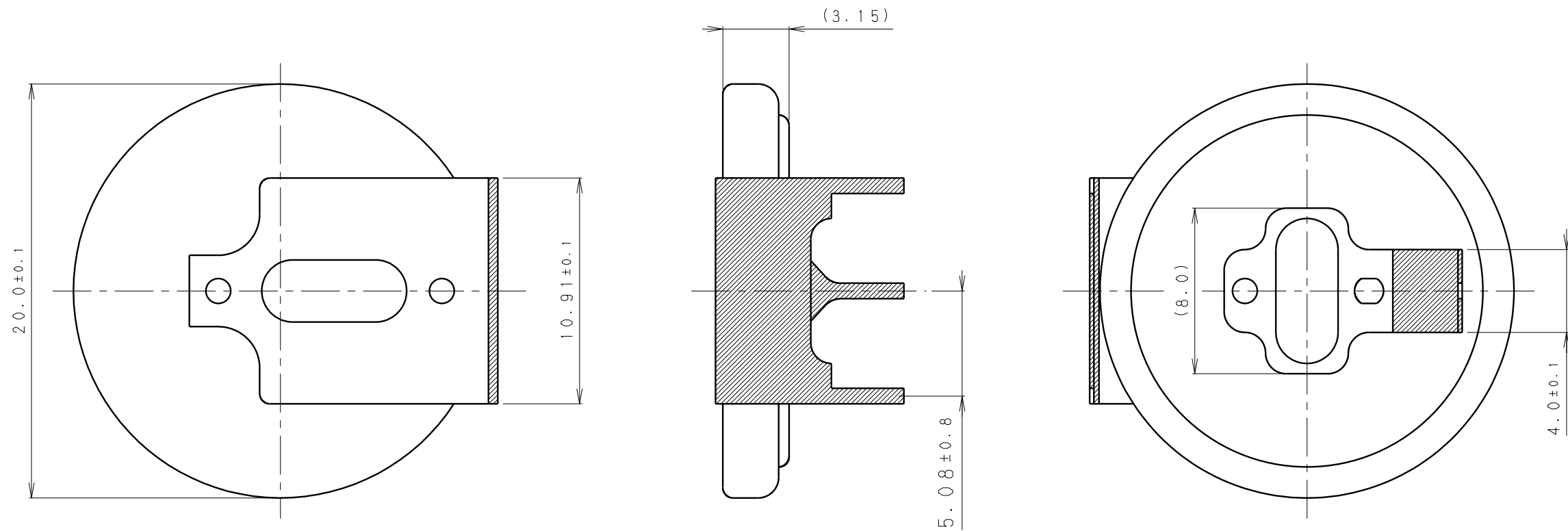
PRODUCT NO.	BR-2032/GSN	SCALE	4:1
DRAWING NO.	PMGD1N	REV.	0
			UNIT:mm



* NOTE [注記]

- TAB PULLING STRENGTH OVER 19.6N [端子溶接強度: 19.6N以上]
- TAB MATERIAL: STAINLESS STEEL WITH TIN PLATING [端子材料: 基材 ステンレス/表面 部分Snメッキ]
- (): REFERENCE DIMENSION AND ANGLE [() 寸法、角度は参考値]

PRODUCT NO.	BR-2032/GVFN	SCALE	4:1
DRAWING NO.	PMWA1Z	REV.	0
			UNIT: mm



* NOTE [注記]

1. TAB PULLING STRENGTH OVER 19.6N [端子溶接強度:19.6N以上]
2. TAB MATERIAL:STAINLESS STEEL WITH TIN PLATING [端子材料:基材 ステンレス/表面 部分Snメッキ]
3. (): REFERENCE DIMENSION AND ANGLE [() 寸法、角度は参考値]

PRODUCT NO.	BR-2032/GUN	SCALE	4:1
DRAWING NO.	PMGF1N	REV.	0
			UNIT:mm