

1

2

3

4

5

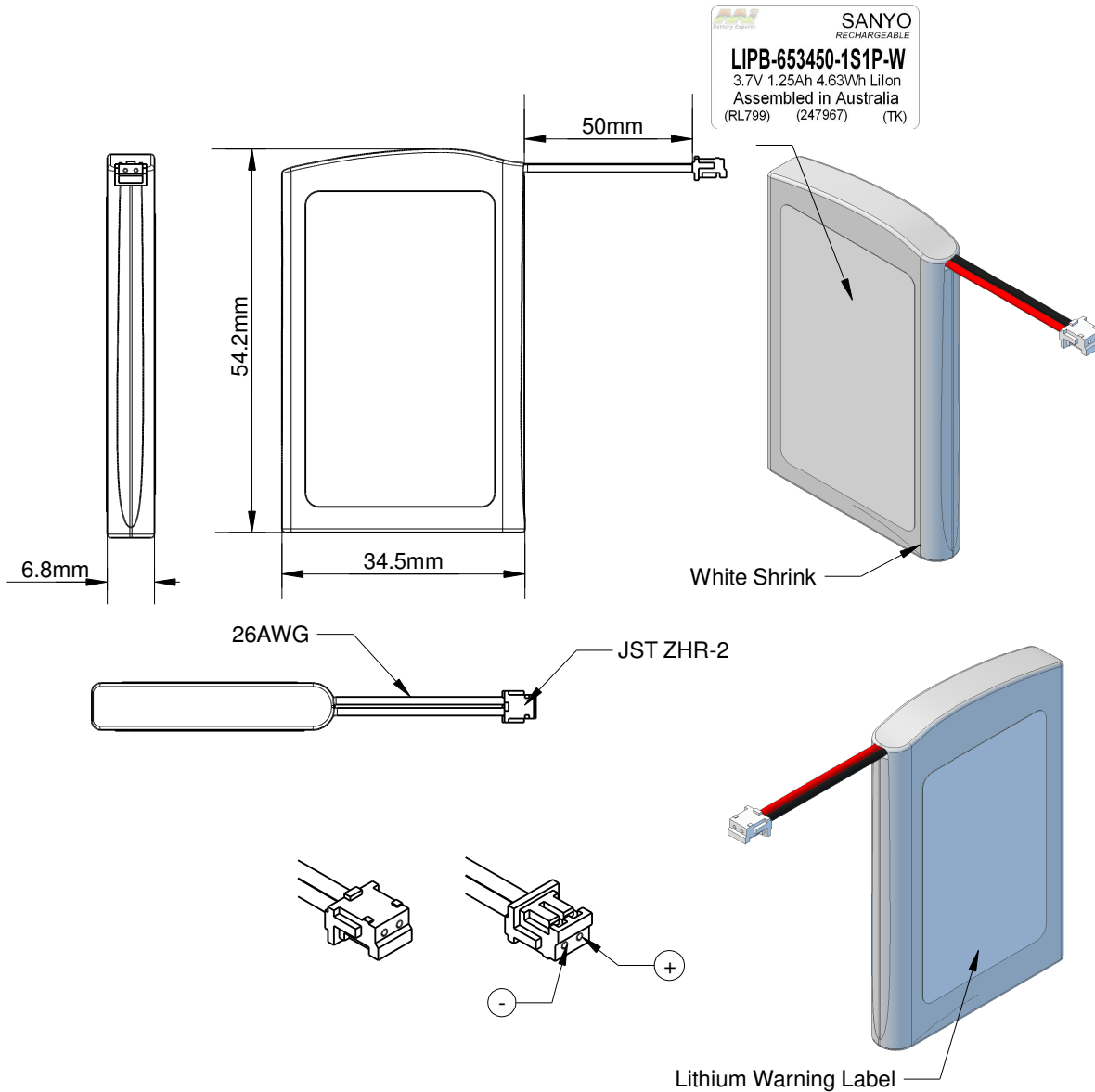
6

A

B

C

D



Technical Data

Safety Board (PCM)

PCM	MIPCM-1SXP3A
Over Charge Detection Voltage	4.28V ± 0.025V
Over Charge Release Voltage	4.13V ± 0.05V
Over Discharge Detection Voltage	2.6V ± 0.08V
Over Discharge Release Voltage	3.1V ± 0.10V
Over Current Detection Current	4A ± 1A
Max Discharge Current	3A
Short Circuit Protection	Load Removed
Protection Circuit Resistance	≤20mΩ
PTC Resettable Fuse	N/A
Thermistor	N/A
Chemistry	Lilon
Configuration	1S1P
Voltage	3.7V
Capacity	1.25Ah
Energy	4.63Wh
Weight	25g
Rated Discharge	250mA (C/5)
Max Discharge Continuous	PCM: 3A
	Cell: 2.5A
Charge Rate	1.25A
Operating Temperature Range	Charge: 0 - 40°C
	Discharge: -20 - 60°C
Charge Voltage	4.2V
Discharge End Voltage	3V
Connector	JST ZHR-2
Suits Mating Connector	B2B-ZR or B2B-ZR-SM4-TF

Mi
Master Instruments

This drawing and the designs so represented are the copyright property of Master Instruments Pty Ltd. The drawing shall not be copied, loaned or issued without the express written permission of a duly authorised representative of Master Instruments Pty Ltd.

PART NO	RL799	STOCK CODE	88003-058	RevNo	0
CELL TYPE	UF653450S	RECOMMENDED CHARGER	FY0420500	DATE	09/02/16
				PAGE	1 OF 1

1

2

3

6