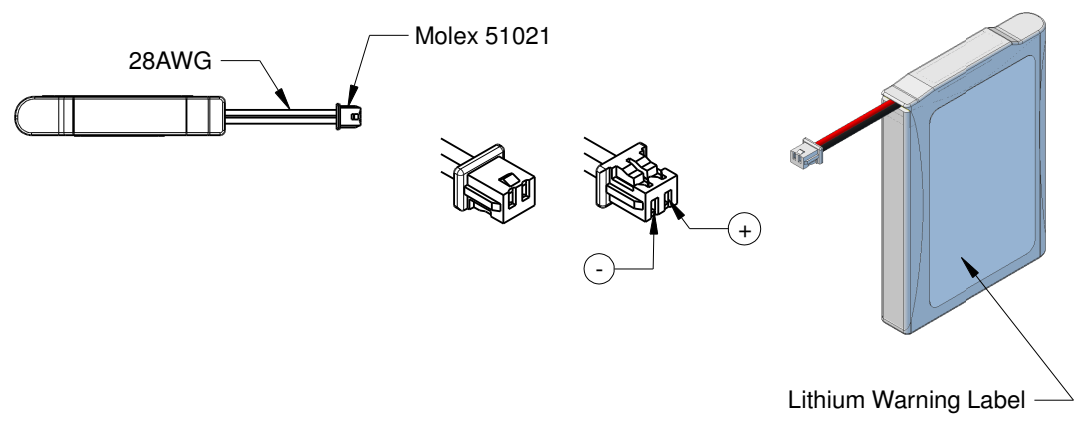
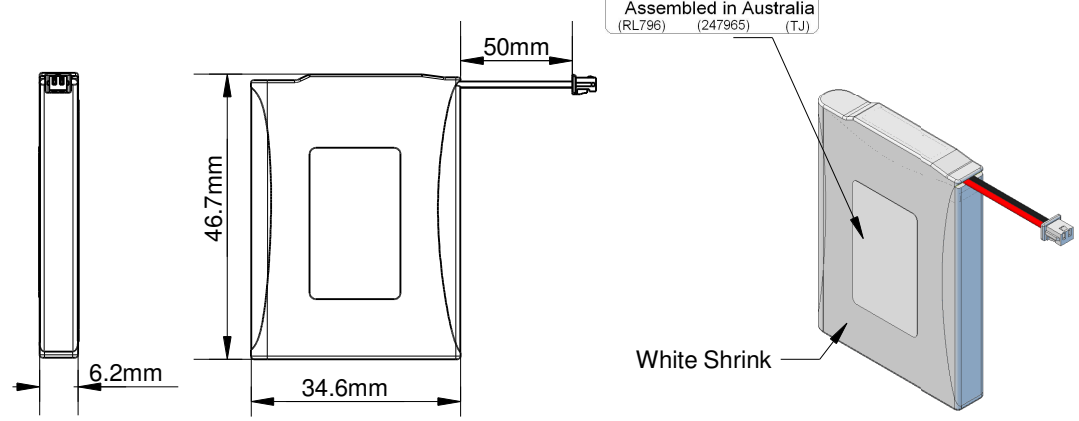


1 2 3 4 5 6

A  
B  
C  
D



**Technical Data**

Safety Board (PCM)

PCM	MIPCM-1SXP3A
Over Charge Detection Voltage	4.28V ± 0.025V
Over Charge Release Voltage	4.13V ± 0.05V
Over Discharge Detection Voltage	2.6V ± 0.08V
Over Discharge Release Voltage	3.1V ± 0.10V
Over Current Detection Current	4A ± 1A
Max Discharge Current	3A
Short Circuit Protection	Load Removed
Protection Circuit Resistance	≤ 20mΩ
PTC Resettable Fuse	N/A
Thermistor	N/A
Chemistry	Lilon
Configuration	1S1P
Voltage	3.7V
Capacity	970mAh
Energy	3.59Wh
Weight	20g
Rated Discharge	194mA (C/5)
Max Discharge Continuous	PCM: 3A
	Cell: 1.92A
Charge Rate	960mA
Operating Temperature Range	Charge: 0 - 40°C
	Discharge: -20 - 60°C
Charge Voltage	4.2V
Discharge End Voltage	2.8V
Connector	Molex 51021
Suits Mating Connector	Molex 53389 and 53261



This drawing and the designs so represented are the copyright property of Master Instruments Pty Ltd. The drawing shall not be copied, loaned or issued without the express written permission of a duly authorised representative of Master Instruments Pty Ltd.

PART NO	RL796	STOCK CODE	88003-055	RevNo	0
CELL TYPE	UF553443Z	RECOMMENDED CHARGER	FY0420500	DATE	29/10/15
				PAGE	1 OF 1

1 2 3 4 5 6