

1 2 3 4 5 6

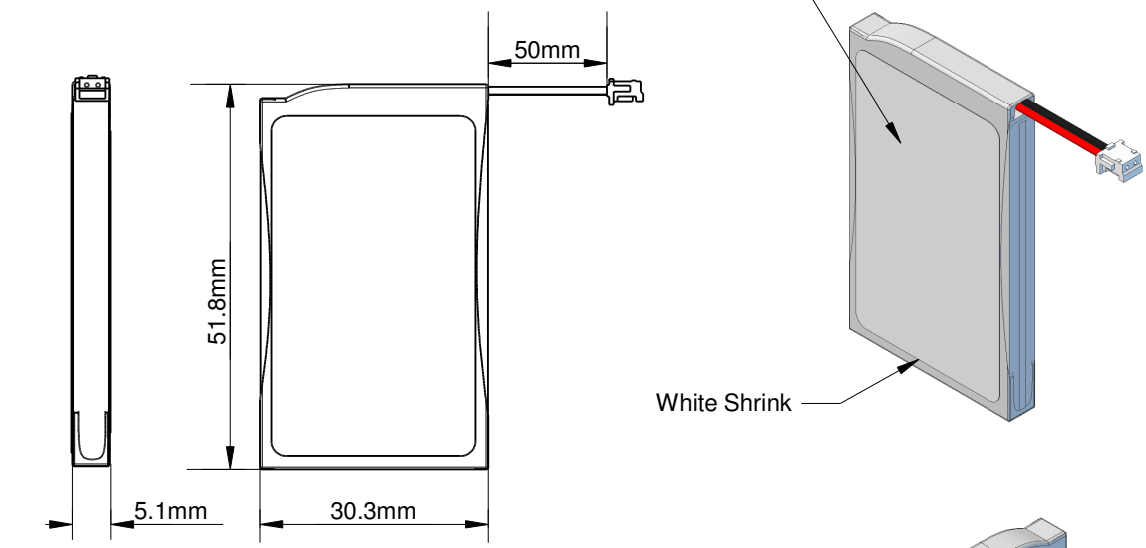
A

B

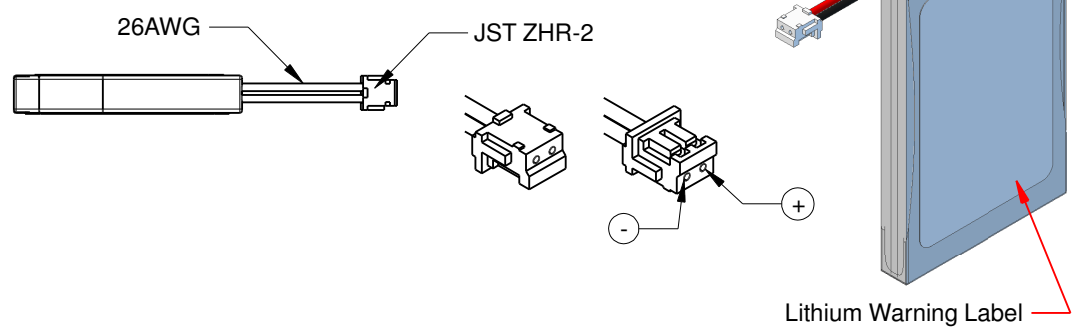
C

D

SANYO
RECHARGEABLE
LIPB-463048-1S1P-W
3.7V 750mAh 2.8Wh Lilon
Assembled in Australia
(RL791) (247960) (TJ)



White Shrink



Technical Data

Safety Board (PCM)

PCM	MIPCM-1SXP3A
Over Charge Detection Voltage	4.28 ± 0.025V
Over Charge Release Voltage	4.13V ± 0.05V
Over Discharge Detection Voltage	2.6V ± 0.08V
Over Discharge Release Voltage	3.1V ± 0.10V
Over Current Detection Current	4A ± 1A
Max Discharge Current	3A
Short Circuit Protection	Load Removed
Protection Circuit Resistance	≤20mΩ
PTC Resettable Fuse	N/A
Thermistor	N/A
Chemistry	Lilon
Configuration	1S1P
Voltage	3.7V
Capacity	750mAh
Energy	2.78Wh
Weight	18g
Rated Discharge	150mA (C/5)
Max Discharge Continuous	PCM: 3A
	Cell: 1.44A
Charge Rate	720mA
Operating Temperature Range	Charge: 0 - 40°C
	Discharge: -20 - 60°C
Charge Voltage	4.2V
Discharge End Voltage	3V
Connector	JST ZHR-2
Suits Mating Connector	B2B-ZR and B2B-ZR-SM4-TF



This drawing and the designs so represented are the copyright property of Master Instruments Pty Ltd. The drawing shall not be copied, loaned or issued without the express written permission of a duly authorised representative of Master Instruments Pty Ltd.

PART NO	RL791	STOCK CODE	88003-050	RevNo	0
CELL TYPE	UF463048F	RECOMMENDED CHARGER	FY0420500	DATE	25/11/15
				PAGE	1 OF 1

1 2 3 4 5 6