

1

2

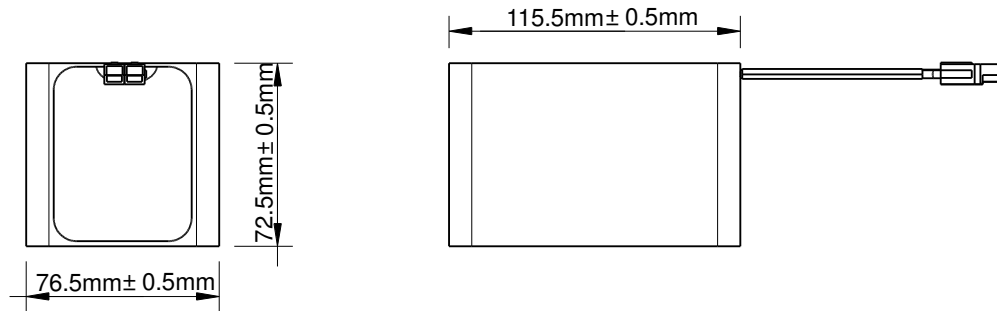
3

4

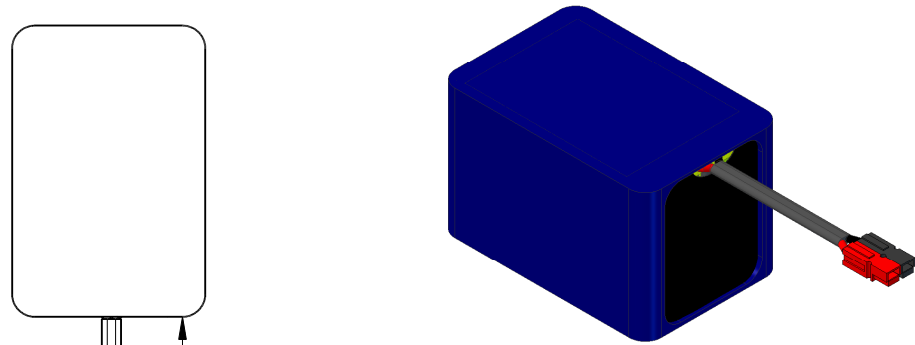
5

6

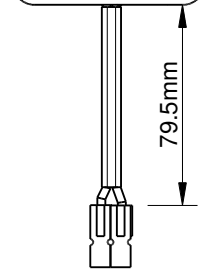
A



B



C



D

**Mi**  
**Master Instruments**

This drawing and the designs so represented are the copyright property of Master Instruments Pty Ltd. The drawing shall not be copied, loaned or issued without the express written permission of a duly authorised representative of Master Instruments Pty Ltd.

PART NO	RL769	STOCK CODE	88002-630PBUG	RevNo	0
CELL TYPE	LICB-18650-4S6P	RECOMMENDED CHARGER		DATE	31/01/2019
				PAGE	1 OF 1

### Technical Data

Safety Board (PCM)

PCM	MIPCM-4SXP20A
Over Charge Detection Voltage	0.5s - 1.5s
Over Charge Release Voltage	4.15V±0.05V
Over Discharge Detection Voltage	2.4V±0.08V
Over Discharge Release Voltage	3.0V±0.1V
Over Current Detection Current	70A±10A
Max Discharge Current	20A
Short Circuit Protection	External Short Circuit
Protection Circuit Resistance	≤5mohm
PTC Resettable Fuse	N/A
Thermistor	N/A
Chemistry	Li-ion
Configuration	4S6P
Voltage	14.4V
Capacity	17.4Ah
Energy	250.56Wh
Weight	1196g
Rated Discharge	0.54A
Max Discharge Continuous	PCM: 20A
	Cell: 10A
Charge Rate	1.35A / Cell
Operating Temperature Range	Charge: 10-45°
	Discharge: -20-45°
Charge Voltage	4.2V±0.03V
Discharge End Voltage	2.5V
Connector	CE018 - Anderson Connector
Suits Mating Connector	CE018 - Anderson Connector

1

2

3

6