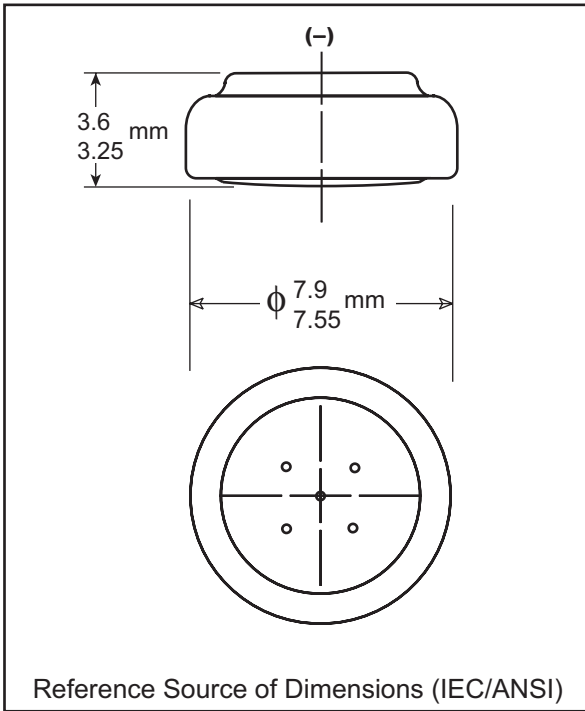


# DURACELL® EasyTab®

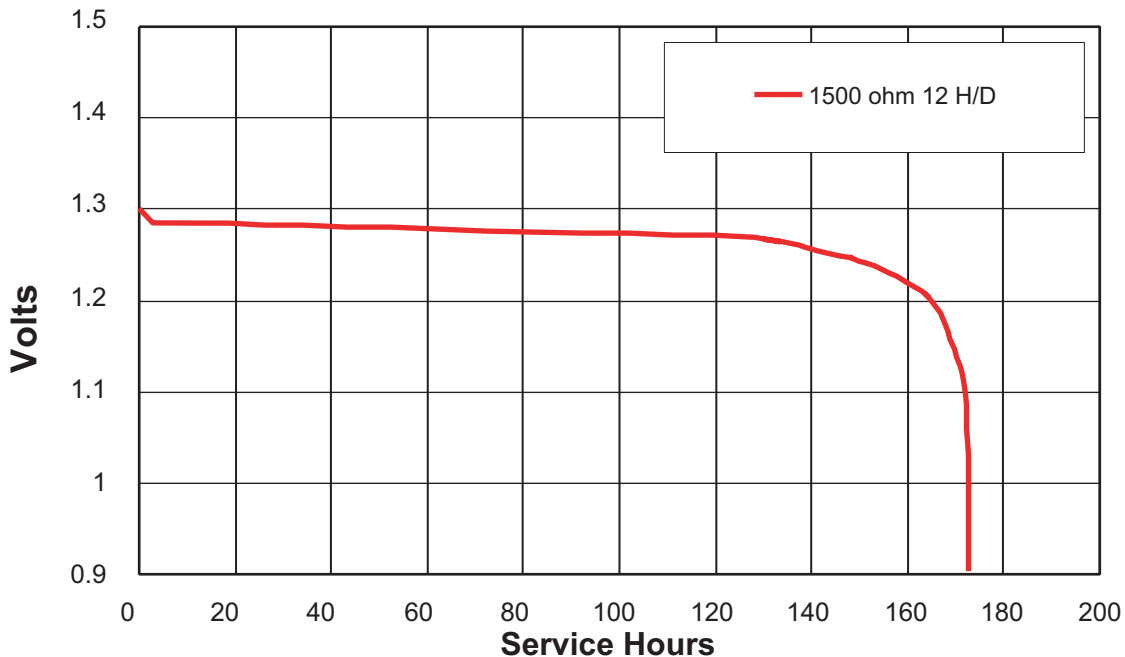
## 312 Zinc Air Battery

Zn/O<sub>2</sub>



<b>Nominal Voltage:</b>	1.4 V
<b>Rated Capacity:</b>	150 mAh at 1500 ohm to 1.1 V at 21°C (70°F)
<b>Nominal Internal Impedance:</b>	7.5 ohm @ 1kHz
<b>Average Weight:</b>	0.5 gm
<b>Volume:</b>	0.18 cm <sup>3</sup>
<b>Terminals:</b>	Flat
<b>Operating Temperature Range:</b>	0°C to 50°C (32°F to 122°F)
<b>ANSI:</b>	7002 ZD
<b>IEC:</b>	PR41

### Typical Discharge Characteristics at 21°C (70°F)



**DURACELL®**  
BATTERIES

Berkshire Corporate Park  
Bethel, CT 06801 U.S.A.

Internet: [www.duracell.com](http://www.duracell.com)  
Telephone: Toll-free 1-800-544-5454

\* Delivered capacity is dependent on the applied load, operating temperature and cut-off voltage. Please refer to the chart and discharge data shown for examples of the energy / service life that the battery will provide.