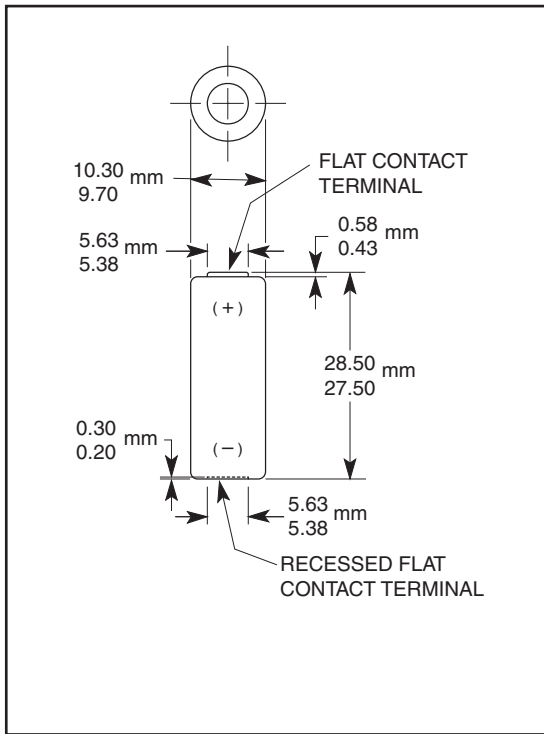


DURACELL®

Alkaline-Manganese Dioxide Battery

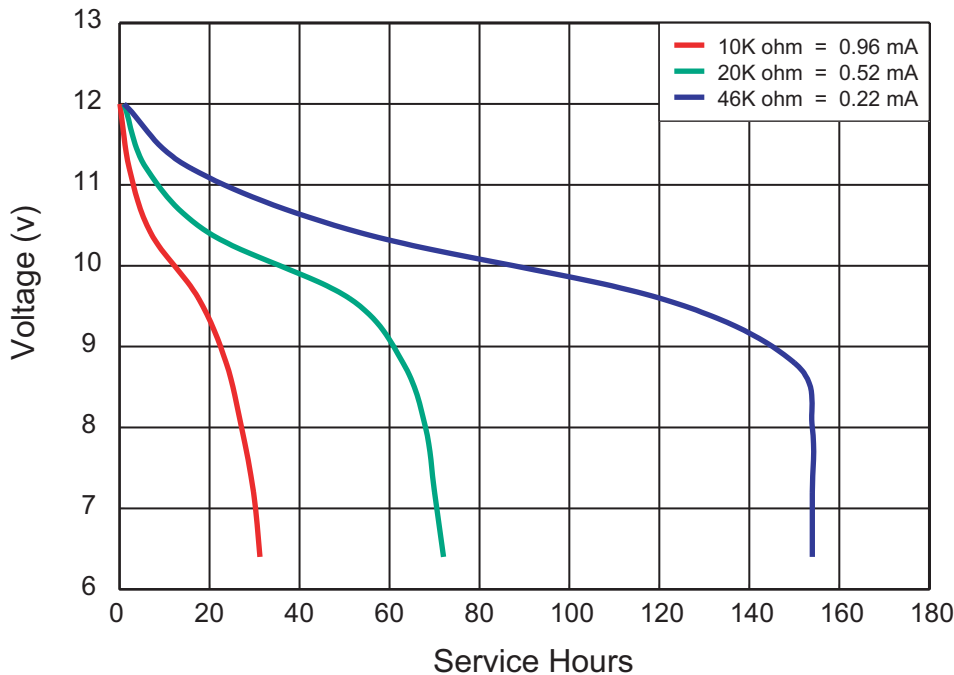
MN21

Zn/MnO₂



Nominal Voltage:	12.0 V
Nominal Internal Impedance:	22 ohm @ 1kHz
Average Weight:	7.4 gm (0.26 oz.)
Average Volume:	2.3 cm ³ (0.14 in. ³)
Terminals:	Flat
Operating Temperature Range:	-20°C to 54°C (-4°F to 130°F)
NEDA:	1811A
IEC/ANSI:	-

TYPICAL DISCHARGE CHARACTERISTICS AT 21°C (70°F)



DURACELL®

BATTERIES

Berkshire Corporate Park
Bethel, CT 06801 U.S.A.
Telephone: Toll-free 1-800-544-5454
Internet: www.duracell.com

* Delivered capacity is dependent on the applied load, operating temperature and cut-off voltage. Please refer to the charts and discharge data shown for examples of the energy / service life that the battery will provide for various load conditions.