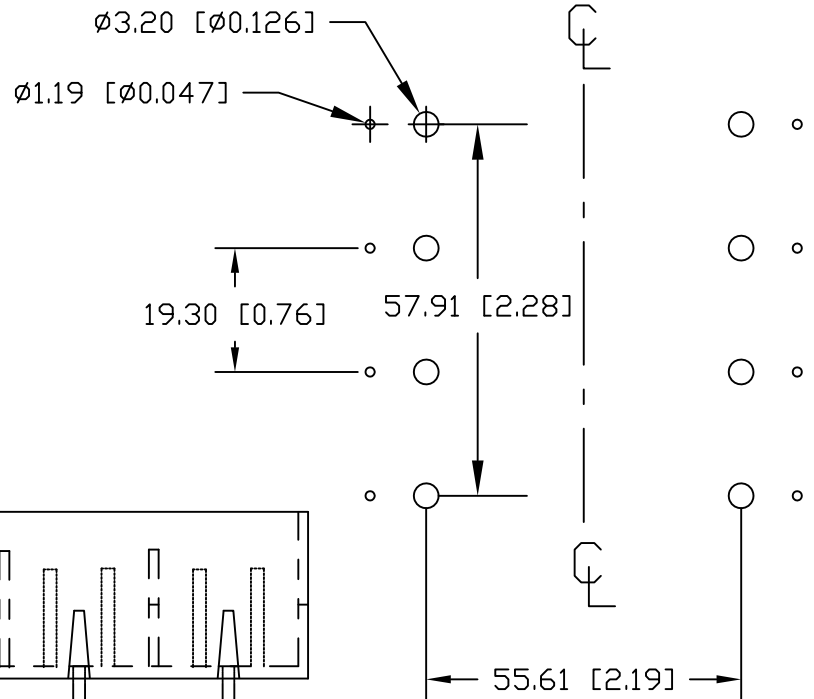
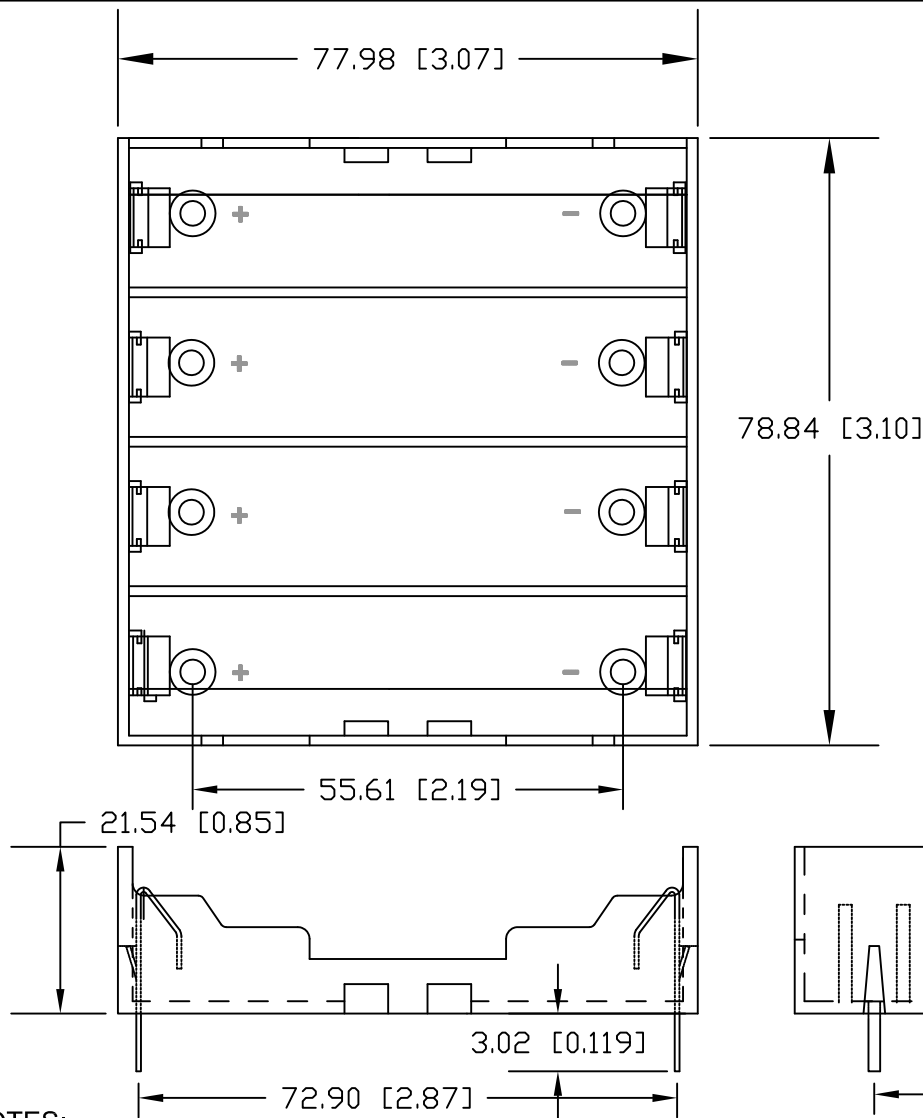



Date	SYM	REVISION RECORD	AUTH	DR.	CK.
1/29/10	A	Added window to lock contacts in place	T B	B S	
4/23/10	B	Removed Strap 18650-04	T B	B S	
6/18/10	C	Material was polypropylene	T B	B S	
1/07/11	D	Added dim. 72.90. Dim. 21.54 was 20.09 Dim. 57.91 was 59.26 Dim. 78.84 was 78.49 Dim. 77.98 was 74.91	T B	B S	



PCB LAYOUT

NOTES:

Material: PBT, 30% glass filled , UL94V-0, UL file No. E53829
 Contacts: 302 Stainless Steel Spring Temper, Nickel Plated
 Cover: Polypropylene, UL94V-0
 Heat Deflection Temperature: 90°C
 Vibration Test: 10-50-10 Hz swept in 60 seconds
 X,Y,Z direction: 1 hour each direction
 Result: No dislodgement of the cell or damage
 No discontinuity over 10 micro-seconds
 Shock Test: Half sine wave acceleration 150G. 6 micro-seconds
 3 shock pulses each direction per axis, total of 18 pulses
 Result: No evidence of physical damage.
 ROHS COMPLIANT

Tolerance (Inches)	 Memory Protection Devices, Inc 200 Broad Hollow Road, Farmingdale, New York 11735		
Decimal		Scale	Drawn By B.S.
±.5 (.020)			Approved By T.B.
Fractional	Title		
± .8 (.030)	FOUR 18650 LI-ION CELL HOLDER		
Angular	Date	Drawing Number	
± 3°	1/07/11	BK-18650-PC8	