

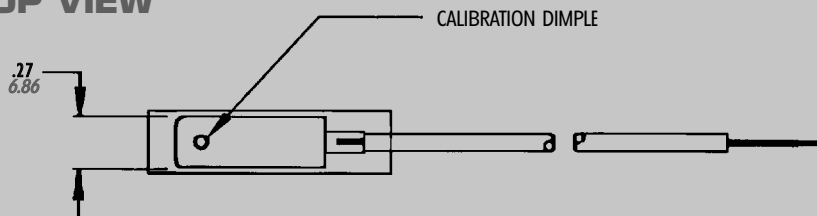
# MODELS C, CR, CH, -C & -CH

Versatile, multipurpose creep action thermostats/thermal protectors for temperature sensing applications, heaters, motors and more. Available with gold-diffused contacts for exceptionally low contact resistance in critical low-voltage/ low current circuits.

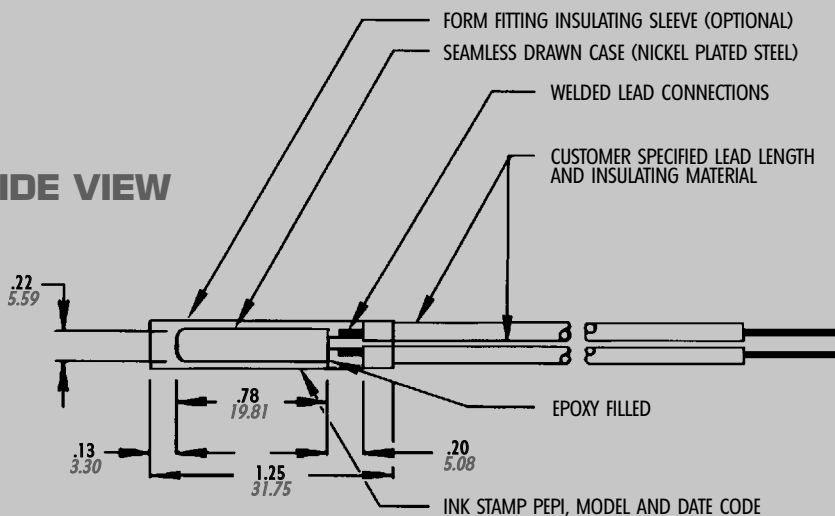


## MODELS C, CR, CH, -C & -CH

### TOP VIEW



### SIDE VIEW



METRIC DIMENSIONS ARE IN MM (SHOWN IN ITALIC)

Copyright 2002, Portage Electric Products, Incorporated, all rights reserved.

## FEATURES

- Conductive bimetal construction; the bimetallic element carries the circuit current.
- No built-in differential between the opening and closing temperature.
- Case electrically alive; insulating sleeving is available.
- Preset calibration temperature; not adjustable in the field.
- Available to open circuit on rise of temperature (normally closed), Model C; or close circuit on rise of temperature (normally open), Model CR.
- Available with gold diffused, fine silver contacts for use in low voltage/low current applications.
- -C and -CH versions without gold
- -CH and CH versions for use 130° to 200°c.

## CONTACT RATINGS

- 6 amps/120 volts AC resistive
- 5 amps/120 volts AC inductive

*Please consult our Sales Engineers for suggested contact ratings when applied to DC type loads.*

## CALIBRATION TEMPERATURE RANGE

- Available with nominal calibration temperatures from 5°C to 200°C.

## CURRENT DERATING CURVE

