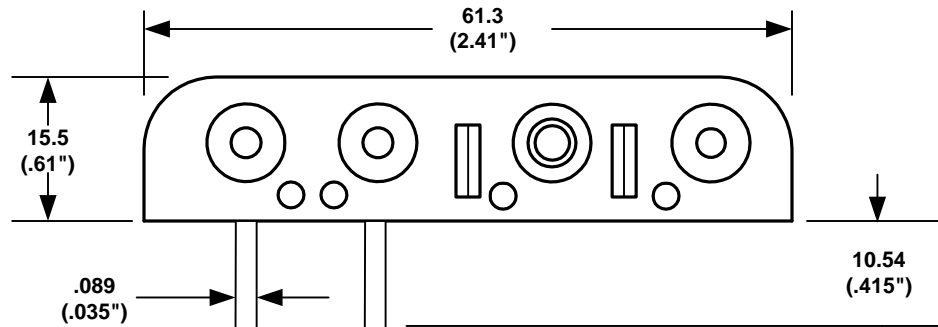
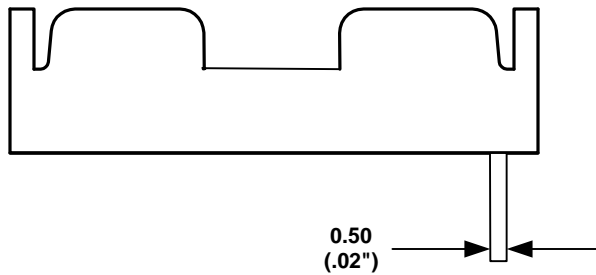
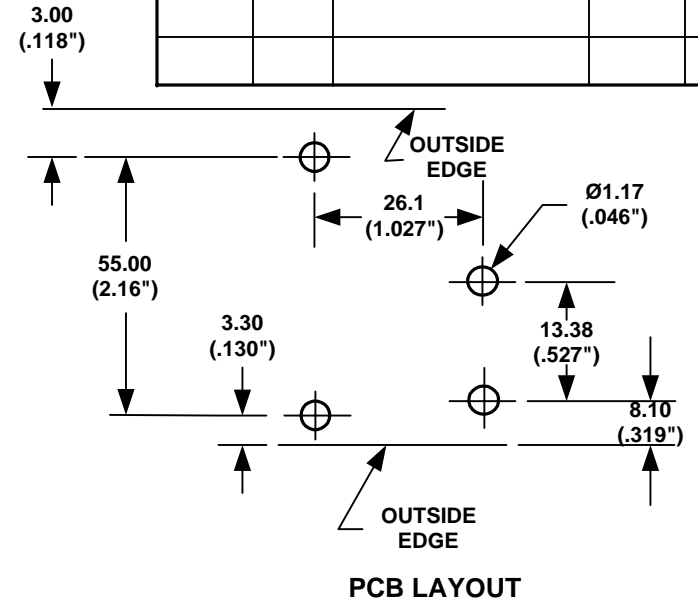
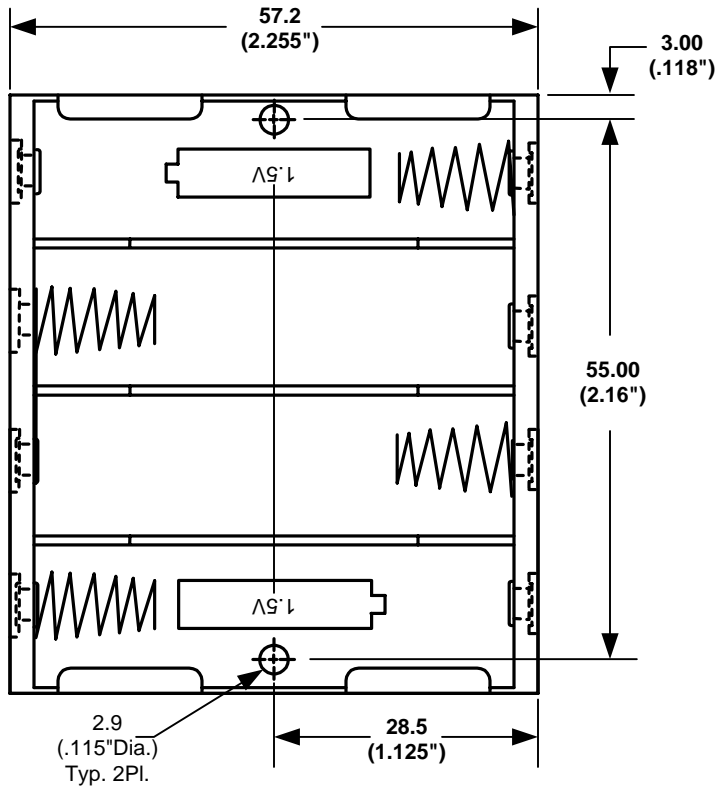


DATE	SYM	REVISION RECORD	AUTH	DR.	CK.




Note: Dimensions in mm. (inches)

ORDERING CODE BC4AA

SOLDER LUGS	= L
(6") WIRE LEADS	= W
9 VOLT TYPE SNAPS	= SF
PC PINS	= PC

SPECIFICATIONS :

Plastic material - polypropylene
 Springs - nickel plated spring steel
 Rivets - Brass, nickel plated
 Contacts - Spring Steel, nickel plated

TOLERANCES (EXCEPT AS NOTED)		 Memory Protection Devices, Inc. 200 Broad Hollow Road, Farmingdale, New York 11735	
DECIMAL	+ .5 (.020") - .5 (.020")	SCALE	DRAWN BY B.S.
FRACTIONAL		NONE	APPROVED BY
ANGULAR	TITLE	FOUR "AA" CELL HOLDER	
+ 3° - 3°	DATE	DRAWING NUMBER	
	11/02/2002	BC4AAPC	