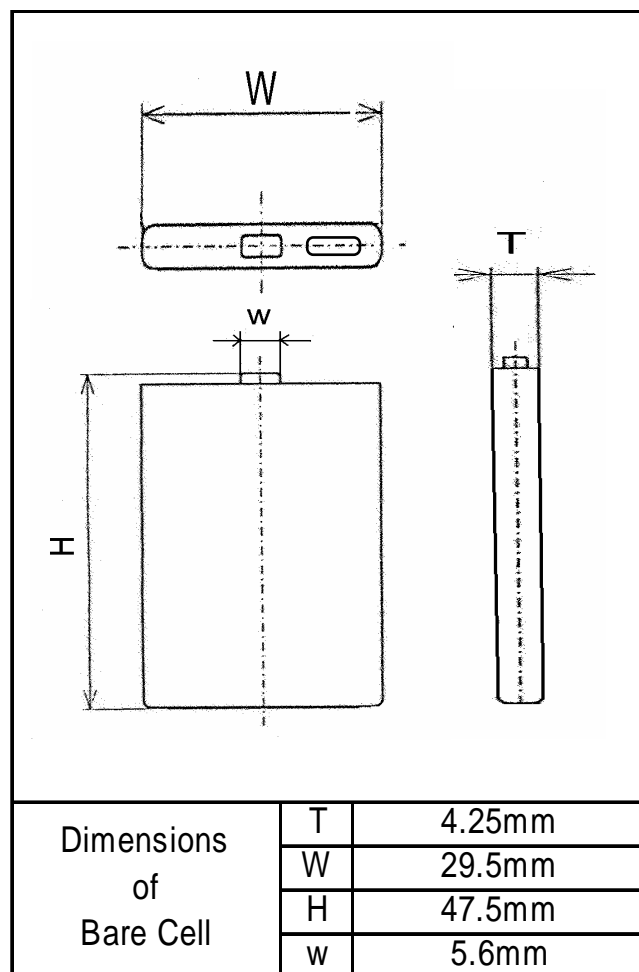


Cell Type UF463048F(720mAh)

Specifications



Discharged State after Assembling

Nominal Capacity		720mAh
Nominal Voltage		3.7V
Charging Method		Constant Current -Constant Voltage
Charging Voltage		4.2V
Charging Current		Std. 720mA
Charging Time		2.5hrs.
Ambient Temperature	Charge	0 ~ +40
	Discharge	-20 ~ +60
	Storage	-20 ~ +50
Weight (Max.)		15.0g
Dimensions (Max.)	(T)	4.45mm
	(W)	29.65mm
	(H)	47.80mm
Volumetric Energy Density		422Wh/l
Gravimetric Energy Density		177Wh/kg

*The maximum thickness of the standard shipment charging condition

*When designing a battery pack, get the precise information on a cell battery drawing