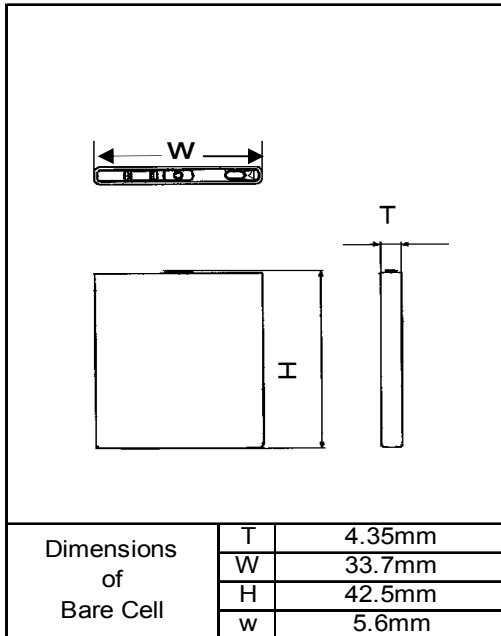




# Cell Type UF463443G

## Specifications



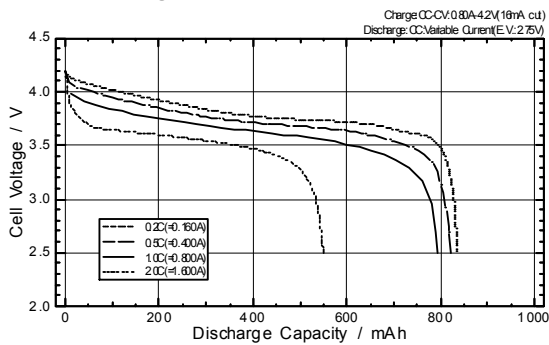
Nominal Capacity		Min.800mAh
Nominal Voltage		3.7V
Charging Method		Constant Current -Constant Voltage
Charging Voltage		4.2V
Charging Current		Std. 800mA
Charging Time		2.5hrs.
Ambient Temperature	Charge	0 ~ +40°C
	Discharge	-20 ~ +60°C
	Storage	-20 ~ +50°C
Weight (Max.)		15.8g
Dimensions (Max.)	(T)	4.55mm
	(W)	33.85mm
	(H)	42.80mm
Volumetric Energy Density		449Wh/l
Gravimetric Energy Density		187Wh/kg

Discharged State after Assembling

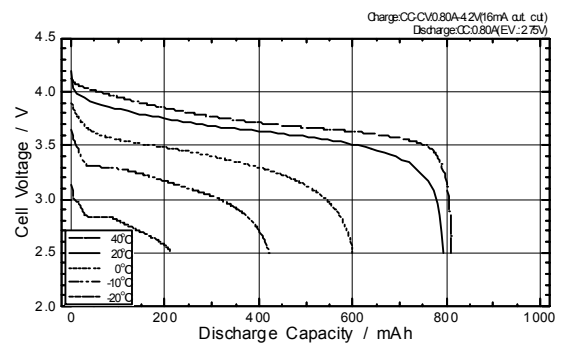
\*The maximum thickness of the standard shipment charging condition

## Typical Characteristics

### Discharge rate characteristics



### Discharge temperature characteristics



### Charge characteristics

