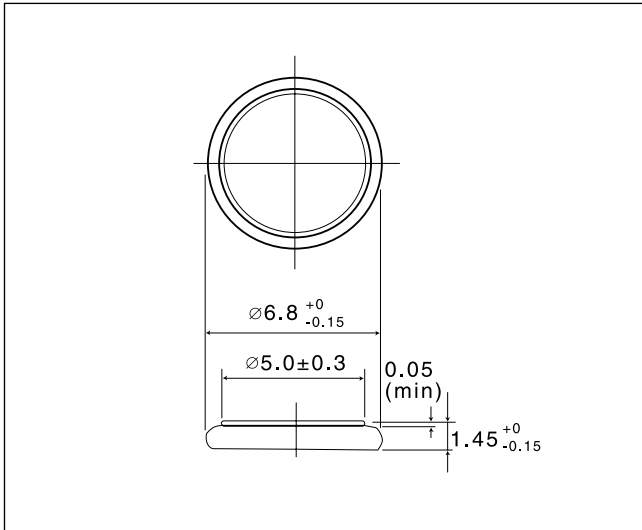


# ML614

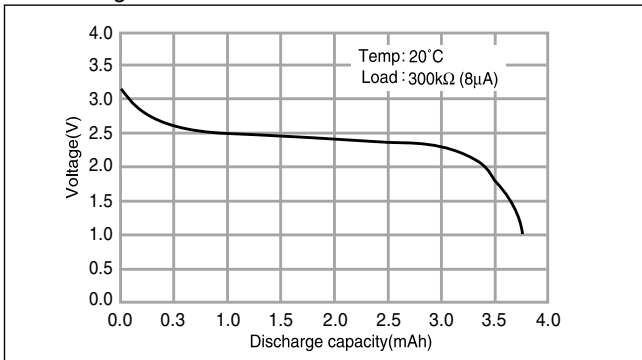
## ■ Dimensions(mm)



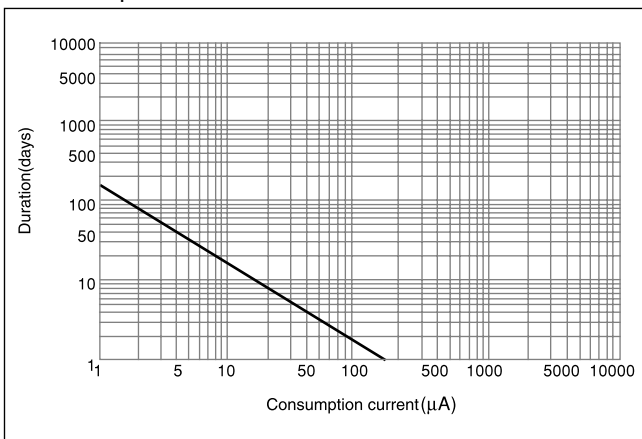
## ■ Specification

Nominal voltage(V)	3
Nominal capacity(mAh)	3.4
Continuous drain(mA)	0.01
Operating temperature(°C)	-20 to +60

## ■ Discharge characteristics

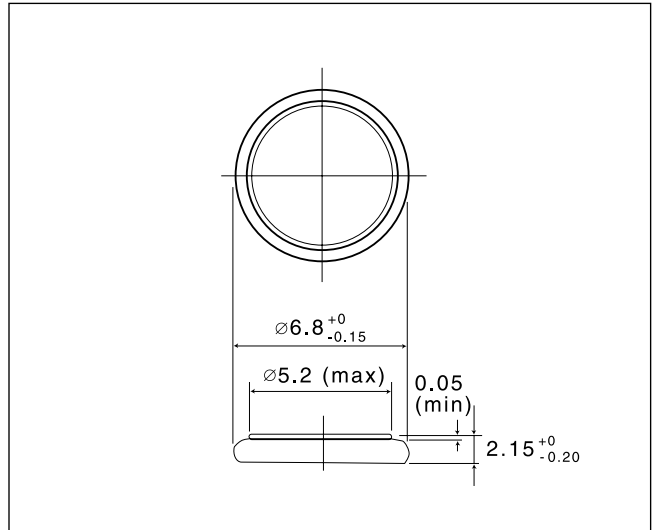


## ■ Consumption current vs. duration time



# ML621

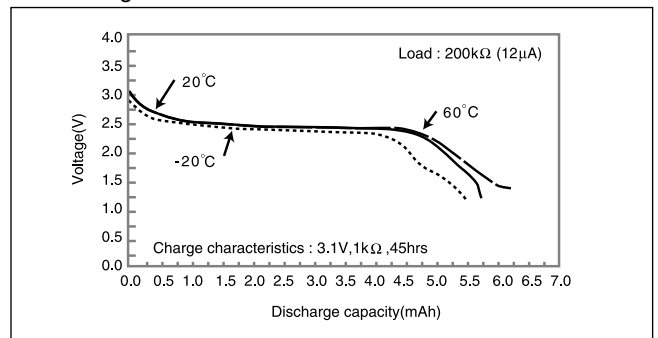
## ■ Dimensions(mm)



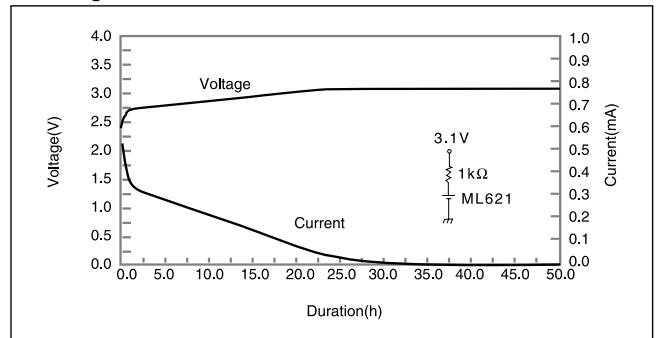
## ■ Specification

Nominal voltage(V)	3
Nominal capacity(mAh)	5
Continuous drain(mA)	0.01
Operating temperature(°C)	-20 to +60

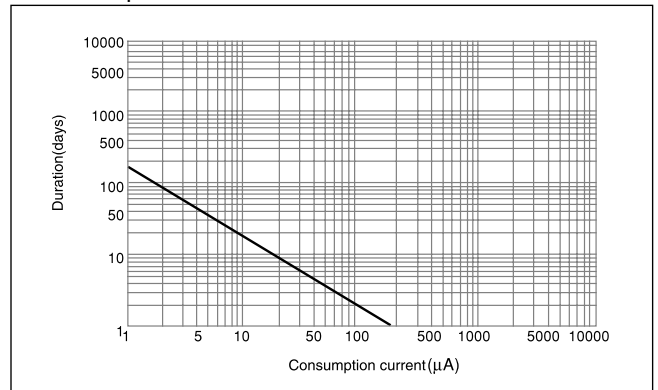
## ■ Discharge characteristics



## ■ Charge characteristics



## ■ Consumption current vs. duration time



\* The data in this document are for descriptive purposes only and are not intended to make or imply any guarantee or warranty.