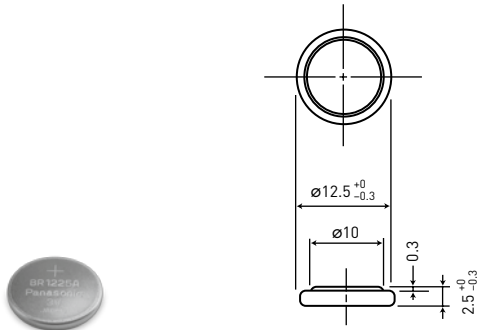


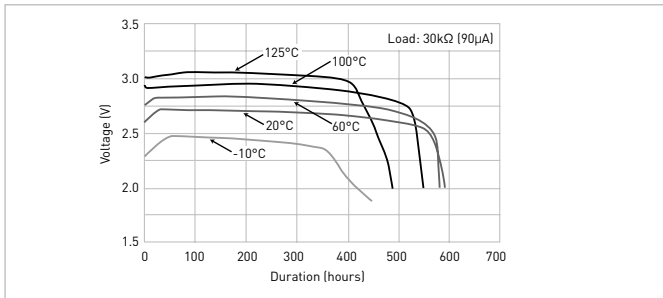
**BR-1225A**

**DIMENSIONS (MM)**

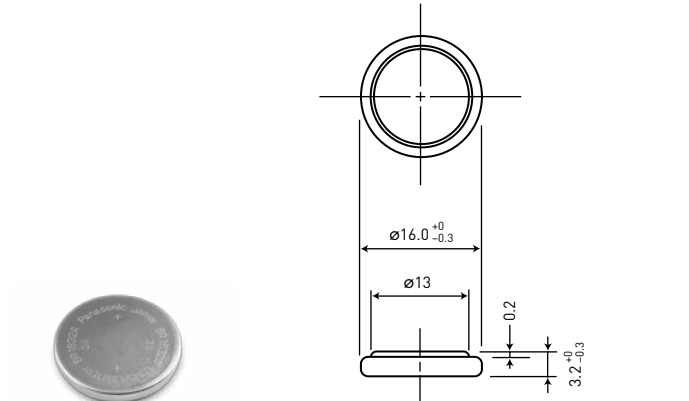


<b>Model number</b>	<b>BR-1225A</b>
<b>Nominal voltage (V)</b>	3
<b>Nominal capacity (mAh)</b>	48
<b>Diameter (mm)</b>	12.5
<b>Total height (mm)</b>	2.5
<b>Discharging temperature range (°C)</b>	-40 to +125
<b>Weight (g)</b>	0.8

**DISCHARGE TEMPERATURE CHARACTERISTICS**



**BR-1632A**



<b>Model number</b>	<b>BR-1632A</b>
<b>Nominal voltage (V)</b>	3
<b>Nominal capacity (mAh)</b>	120
<b>Diameter (mm)</b>	16.0
<b>Total height (mm)</b>	3.2
<b>Discharging temperature range (°C)</b>	-40 to +125
<b>Weight (g)</b>	1.5

**DISCHARGE TEMPERATURE CHARACTERISTICS**

