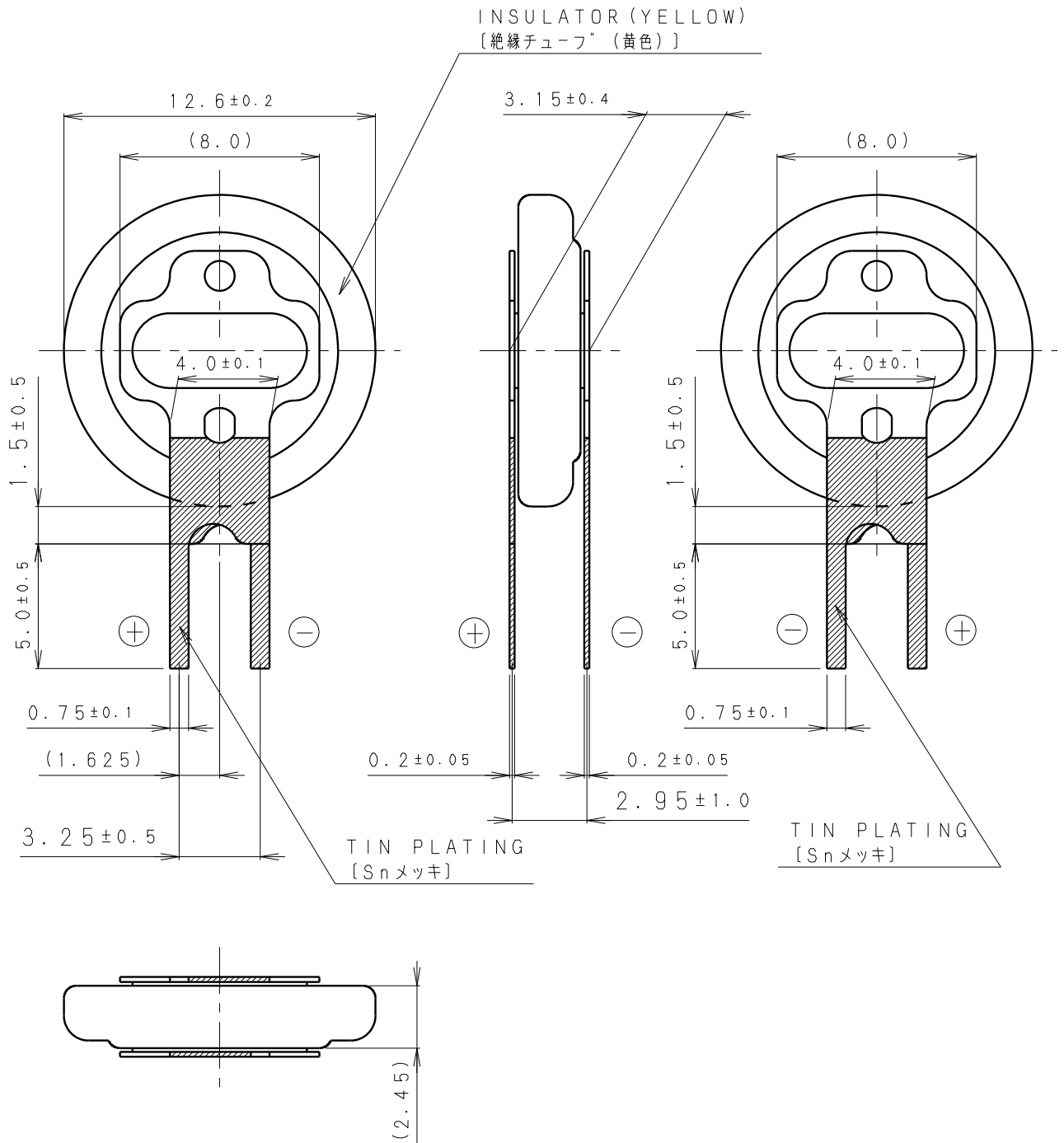


* NOTE [注記]

1. TAB PULLING STRENGTH OVER 19.6N
[端子溶接強度：19.6N以上]
2. TAB MATERIAL: STAINLESS STEEL WITH TIN PLATING [斜線]
[端子材料：基材 ステンレス/表面 部分Snメッキ [斜線]]
3. () : REFERENCE DIMENSION AND ANGLE
[() 寸法、角度は参考値]

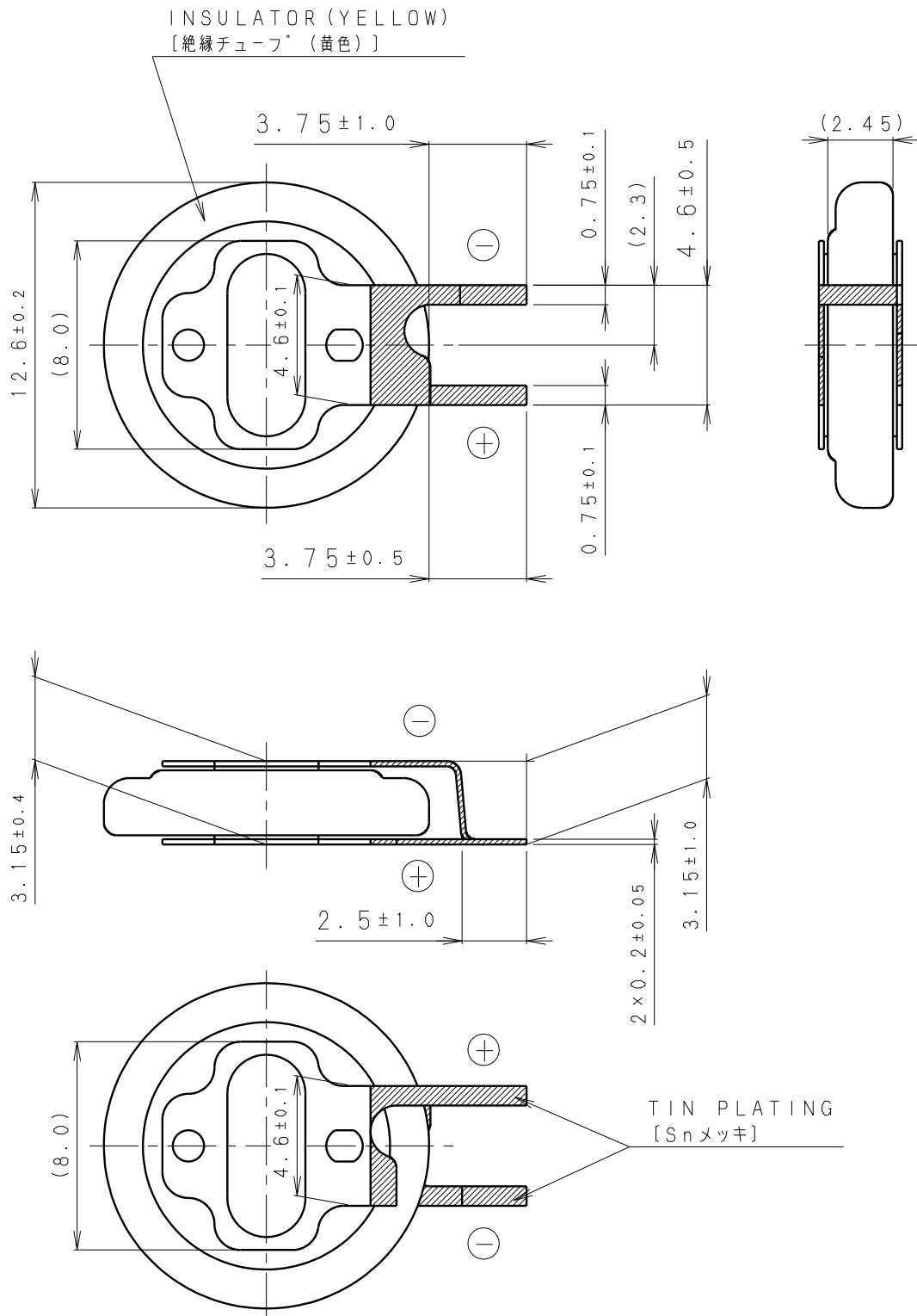
PRODUCT NO.	BR-1225/V1BN	SCALE	
		4:1	
DRAWING NO.	JGVA1Z	REV.	 UNIT:mm
		0	



* NOTE [注記]

- TAB PULLING STRENGTH OVER 19.6N
[端子溶接強度：19.6N以上]
- TAB MATERIAL: STAINLESS STEEL WITH TIN PLATING [錫メッキ]
[端子材料：基材 ステンレス/表面 部分Snメッキ]
- () : REFERENCE DIMENSION AND ANGLE
[() 寸法、角度は参考値]

PRODUCT NO.	BR-1225/VCN	SCALE	
		4:1	
DRAWING NO.	JGVB1Z	REV.	
		0	



* NOTE [注記]

1. TAB PULLING STRENGTH OVER 19.6N
[端子溶接強度: 19.6N以上]
2. TAB MATERIAL: STAINLESS STEEL WITH TIN PLATING [錫めっき]
[端子材料: 基材 ステンレス/表面 部分Snメッキ]
3. (): REFERENCE DIMENSION AND ANGLE
[() 寸法、角度は参考値]

PRODUCT NO.	BR-1225/VFN	SCALE	
		4:1	
DRAWING NO.	JGFA6Z	REV.	
		0	